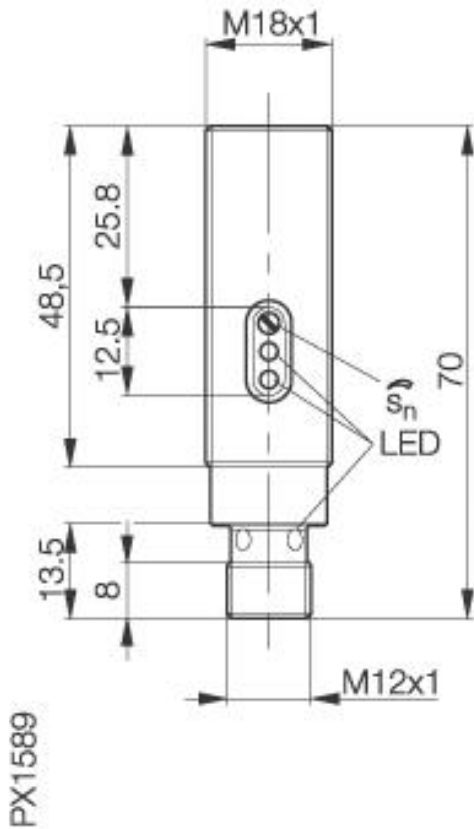


**Photoelectric Sensor**  
**BOS 18M-PS-1HA-E5-C-S 4**  
**Sn=120mm**  
**Diffuse, Background suppression**



**Common Data**

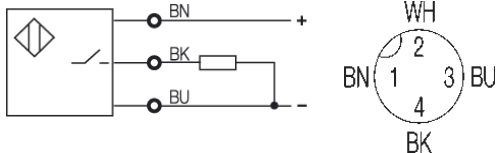
Series	18M
Sensortype	Diffuse, Background suppression
Switching frequency	500 Hz
Rated operating distance Sn in mm	120
asured operating distance Sa	adjustable
Repeat accuracy	< 5% from Sn
Hysteresis	< 5%
Indication Supply Voltage	yes
Indication Switching element on	yes, yellow LED
Ambient temperature	-25...+55°C
On-delay	1ms
Light	Red light
Sensitivity Adjustment	Poti
Blind zone / min Reflector distance	10 mm
Permissable ambient light	5000 Lux
Output function	light-on or dark-on

**Mechanical Data**

Measurements	M18x70
Shock	Halfsinus, 30gn, 11ms
Vibration	10...55Hz, 1,5mm Amplitude 3x2h
Housing material	nickel plated brass
Material of sensing face	Glass
Degree of protection	IP67
Connection	Connector S4 (M12)
Weigth	50g
Recommended connector	BKS-S20-8

**Electrical Data**

Current	DC
Switching function	normally-open
Output	PNP
Rated operational voltage Ue	24V DC
Rated operational current Ie	200mA
Supply Voltage	10...36V DC
Ripple	< 20% from UB
Frequency of Supply Voltage	DC
Voltage drop	<2V
Short protection	yes
Protected against polarity reversal	yes



Utilization categories DC13  
 Insulation class

Datasheet number:

Definitions see general catalog.  
 If not otherwise noted, ratings according to IEC 60947-5-2 (DIN EN60947-5-2)

Balluff GmbH  
 Schurwaldstrasse 9  
 73765 Neuhausen a.d.F.  
 Phone (07158) 173-0 Fax (07158) 5010

Datenblatt by CD-ROM - 04/2007

**BALLUFF**  
 sensors worldwide